

**PLA28C3** - 1/3" Fixed Focal, Wide Angle Lens,  
2.8mm

**PLZ27/5DN** - 1/3" Vari-Focal, Wide Angle,  
Day/Night Lens, 2.7-13.5mm

**PLZ29/27** - 1/3" Vari-Focal, Wide Angle,  
Day/Night Lens, 2.9-8.0mm

**PLZ5/10** - 1/3" Vari-Focal, Wide Angle,  
Day/Night Lens, 5.0-50.0mm

## PRODUCT FEATURES:

	PLA28C3	PLZ27/5DN
Aperture Rate	F1.3	F1.3
Aspherical		•
Auto Iris (DC Type)	•	•
Day/Night		•
Focal Length (mm)	2.8	2.7~13.5 (5x)
Focus	Manual	Manual
Metal Mount		•
Mount	CS	CS
Telephoto		•
Vari-Focal	Fixed	•
Wide Angle	•	•
Zoom	None	Manual

	PLZ29/27	PLZ5/10
Aperture Rate	F0.95	F1.6
Aspherical	•	•
Auto Iris (DC Type)	•	•
Day/Night	•	•
Focal Length (mm)	2.9~8.0 (2.7x)	5.0~50.0 (10x)
Focus	Manual	Manual
Metal Mount	•	•
Mount	CS	CS
Telephoto		•
Vari-Focal	•	•
Wide Angle	•	•
Zoom	Manual	Manual

## ELECTRICAL SPECIFICATIONS:

### Power:

22mA (Max.) at DC 4V

## MECHANICAL SPECIFICATIONS:

### Weight:

PLA28C3 - 50g

PLZ27/5DN - 70g

PLZ29/27 - 45g

PLZ5/10 - 100g

### PLA28C3

2.8mm Fixed  
Vandal-proof\* camera  
compatible



### PLZ27/5DN

2.7 - 13.5mm (Day/Night)  
Vandal-proof\* camera  
compatible



### PLZ29/27

2.9 - 8mm (Day/Night)



### PLZ5/10

5 - 50mm (Day/Night)



## DESCRIPTION:

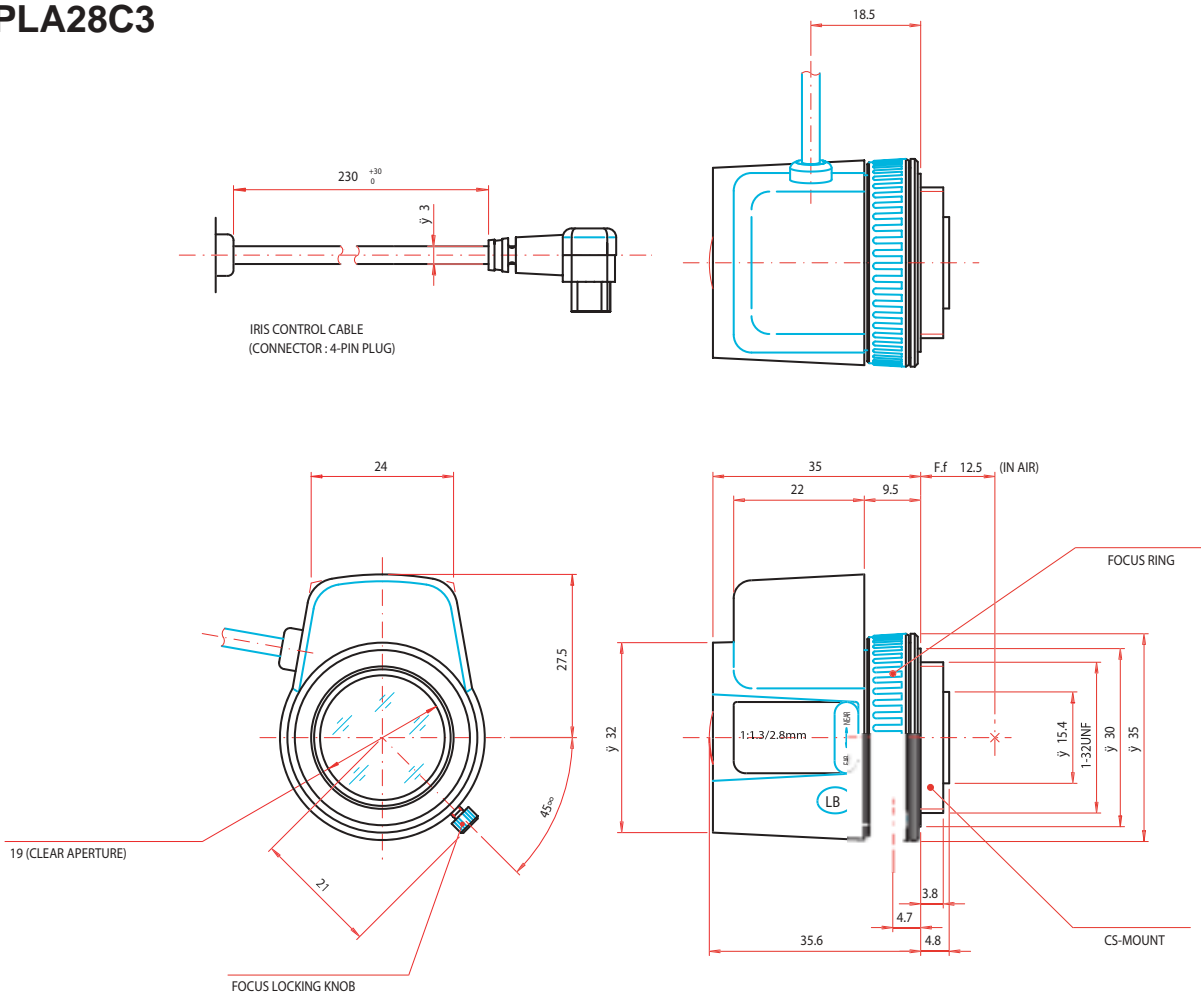
Models **PLZ27/5DN**, **PLZ29/27** and **PLZ5/10** vari-focal lenses are compact, lightweight and offer camera viewing flexibility to your security installations. They incorporate the latest aspherical and day/night technologies providing bright, sharp images even in changing light conditions. Model **PLA28C3** has a fixed focal length and wide aperture of F1.3.

All lenses come with auto irises and can be used with any CS-Mount camera. Models **PLZ29/27** and **PLA28C3** can be used with Panasonic's WV-NW474S, WV-CW244 or WV-CW474A Series of vandal-proof\* mini dome cameras.

\*Important - By using one of the replacement lenses listed above, the 100lb. vandal-proof rating for the WV-NW474S, WV-CW244 and WV-CW474A Series no longer apply. Only the factory installed lens qualifies for the vandal-proof rating.

DISTRIBUTED BY:

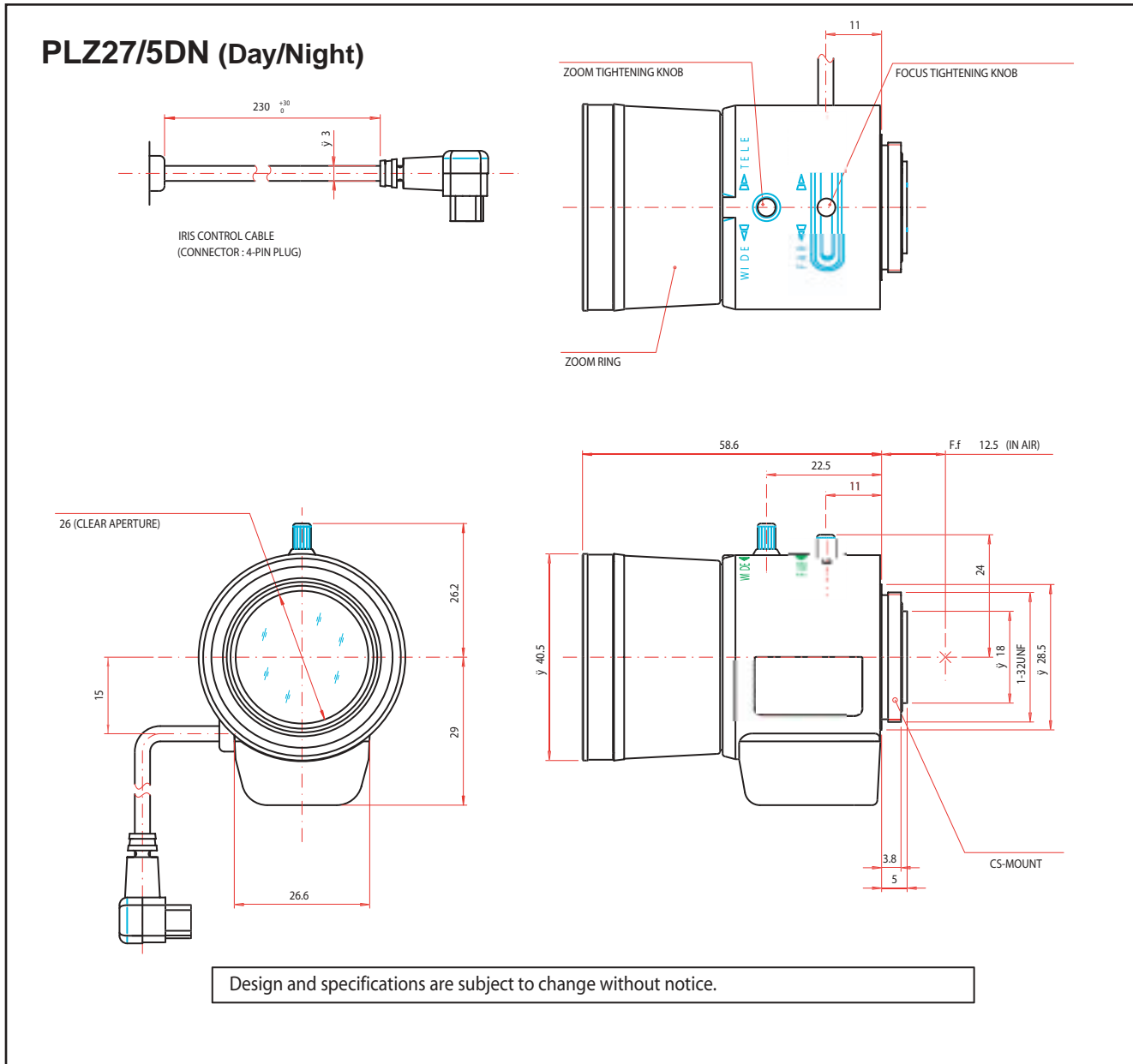
**PLA28C3**



Design and specifications are subject to change without notice.

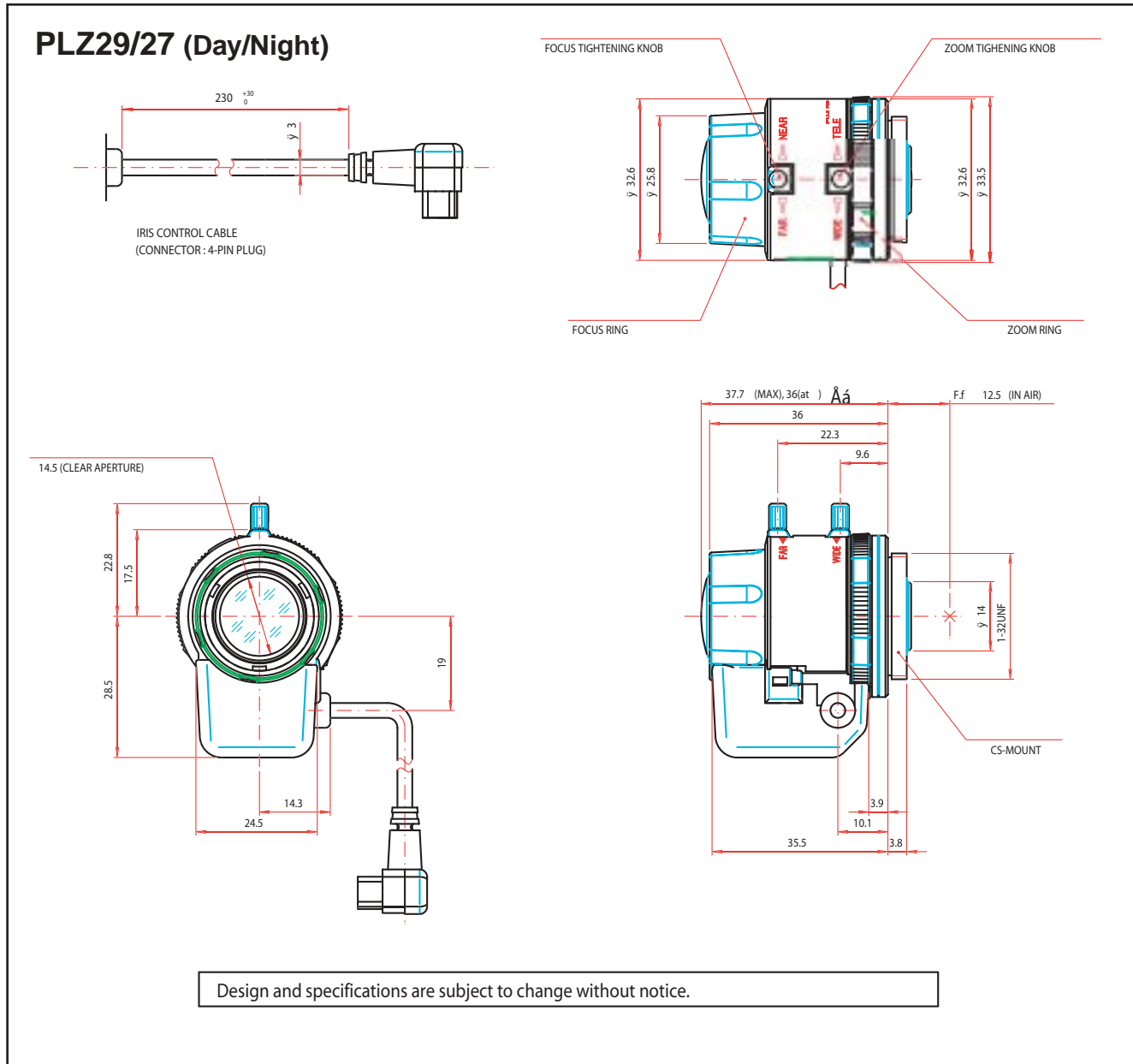
**BID SPECS**

The 1/3" automatic iris lens shall be a Model PLA28C3 or equivalent. The 1/3" automatic iris lens shall be suitable for use in areas where there is a varying light source. The lens shall be compatible with late model Panasonic 1/3" color CCD cameras. The lens shall have a focal length of 2.8mm and CS-mounting (special C-mount). The unit shall have a maximum aperture ratio of 1:1.3. The unit shall have an angular field-of-view of 96°(H) and 71°(V). The lens shall have an image format of 4.8(H)mm x 3.6(V)mm (1/3"). The lens shall not exceed the following dimensions: 35mm deep x 44mm diameter.



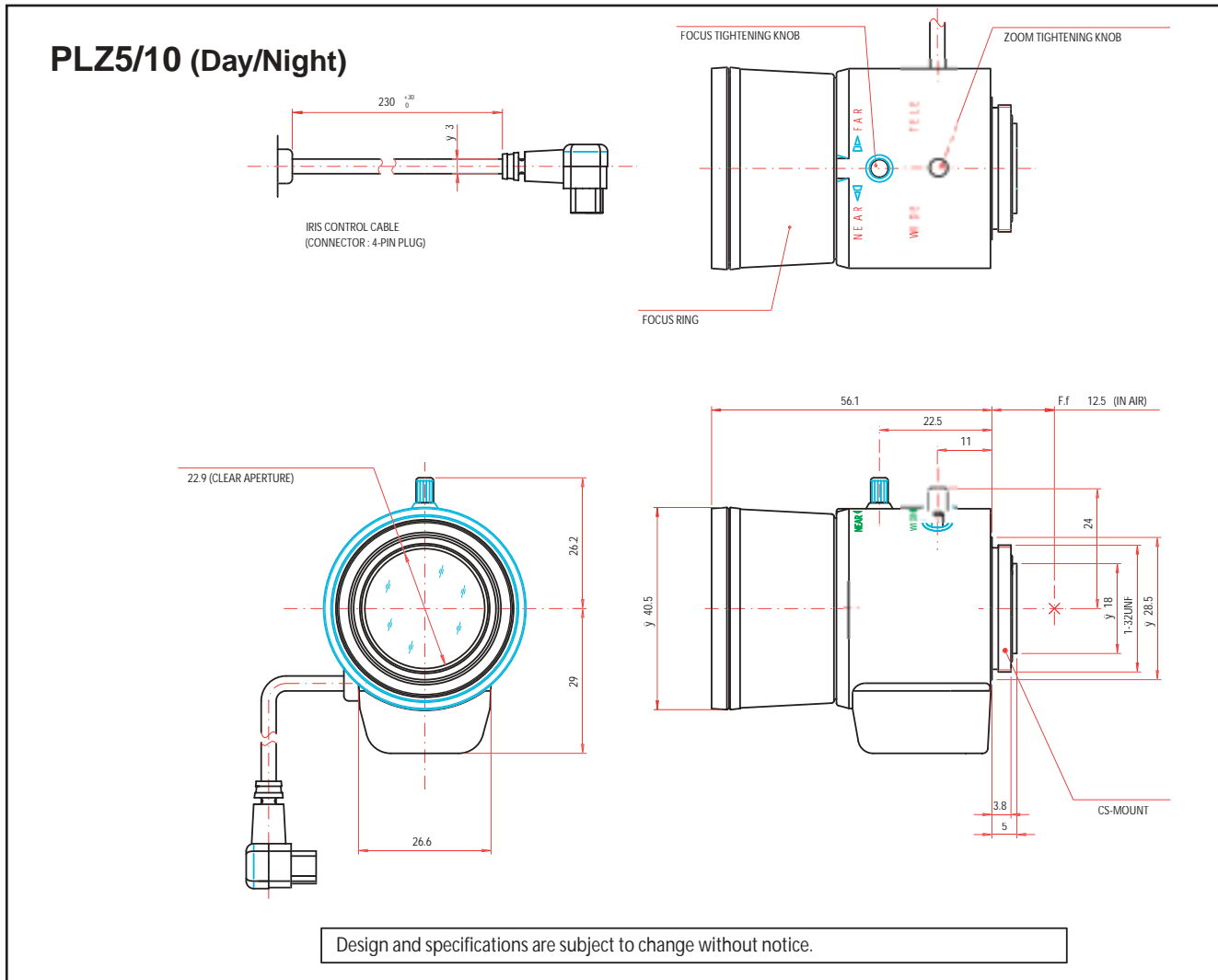
## BID SPECS

The 1/3", automatic iris, 5X variable focal lens shall be a Panasonic model PLZ27/5DN or equivalent. The lens shall be suitable for use in areas where there is a varying light source. The lens shall incorporate day/night compatibility to reduce focus shift due to camera imager in black-and-white mode. Focus shift correction may not be applicable at maximum aperture. The lens shall be compatible with 1/3" black-and-white or color CCD cameras. The lens shall have a focal length of 2.7~13.5mm (5X) and CS-mounting. The unit shall have a maximum aperture ratio of 1:1.3 (wide). The unit shall have an angular field-of-view of 21° telephoto and 99° wide (horizontal), and 16° telephoto and 74° wide (vertical). The lens shall have an aspherical element and not exceed the following approximate dimensions: 55.2mm H x 40.5mm W x 56.1mm D.



## BID SPECS

The 1/3", automatic iris, 2.7X variable focal lens shall be a Panasonic Model PLZ29/27 or equivalent. The lens shall be suitable for use in areas where there is a varying light source. The lens shall be compatible with 1/3" black-and-white or color CCD cameras. The Model PLZ29/27 lens shall have aspherical lens element(s) for increased light gathering capability in low light situations. The lens shall incorporate day/night compatibility to reduce focus shift due to camera imager in black-and-white mode. Focus shift correction may not be applicable at maximum aperture. The lens shall have a focal length of 2.9-8mm (2.7X) and CS-mounting. The unit shall have a maximum aperture ratio of 1:0.95 (wide). The unit shall have an angular field-of-view of 35° telephoto and 94° wide (horizontal), and 26° telephoto and 69° wide (vertical). The lens shall have aspherical elements and shall not exceed the following dimensions: 51.3mm diameter x 37.7mm deep. The PLZ29/27 shall be compatible with any camera with a CS lens mount, including the internal lens mount on Panasonic Model WV-NW474S, WV-CW474A and WV-CW244 Vandalproof cameras. Vandalproof rating for Panasonic Model WV-NW474S, WV-CW474A and WV-CW244 shall not be required to apply with the Model PLZ29/27 lens installed.



**BID SPECS**

The 1/3", automatic iris, 10X variable focal lens shall be a Panasonic Model PLZ5/10 or equivalent. The lens shall be suitable for use in areas where there is a varying light source. The lens shall be compatible with 1/3" black-and-white or color CCD cameras. The Model PLZ5/10 lens shall have aspherical lens element(s) for increased light gathering capability in low light situations. The lens shall incorporate day/night compatibility to reduce focus shift due to camera imager in black-and-white mode. Focus shift correction may not be applicable at maximum aperture. The lens shall have a focal length of 5-50mm (10X) and CS-mounting. The unit shall have a maximum aperture ratio of 1:1.6 (wide). The unit shall have an angular field-of-view of 5° telephoto and 51° wide (horizontal), and 4° telephoto and 39° wide (vertical). The lens shall have aspherical elements and shall not exceed the following dimensions: 40.5mm diameter x 58.6mm deep. The PLZ5/10 shall be compatible with any camera with a CS lens mount, dome cameras not included.

DISTRIBUTED BY:

**Panasonic ideas for life**

**Panasonic Digital Communications & Security Company**  
 Unit of Matsushita Electric Corporation of America  
**Security Systems**

Executive Office: Three Panasonic Way, Secaucus, NJ 07094  
 Zone Offices:  
 Eastern: Three Panasonic Way, Secaucus, NJ 07094 (201) 392-4546  
 Central: 1707 North Randall Road, Elgin, IL 60123 (847) 468-5211  
 Western: 6550 Katella Avenue, Cypress, CA 90630 (714) 373-7840  
[www.panasonic.com/security](http://www.panasonic.com/security)